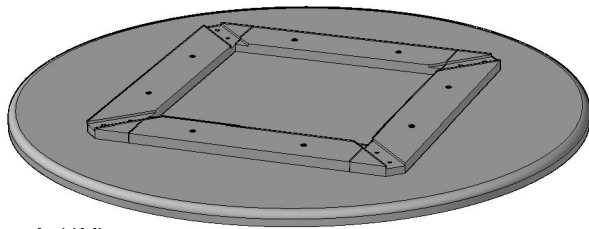
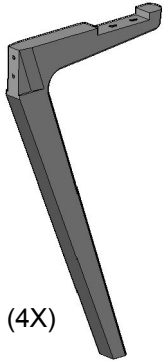


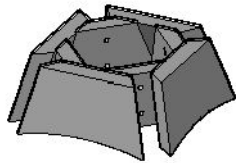
**PART LIST**



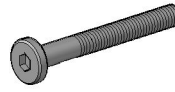
A (1X)



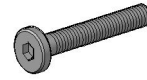
B (4X)



C (1X)



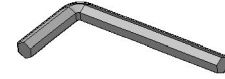
D (8X)



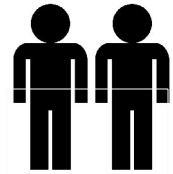
E (8X)



F (16X)



G (1X)

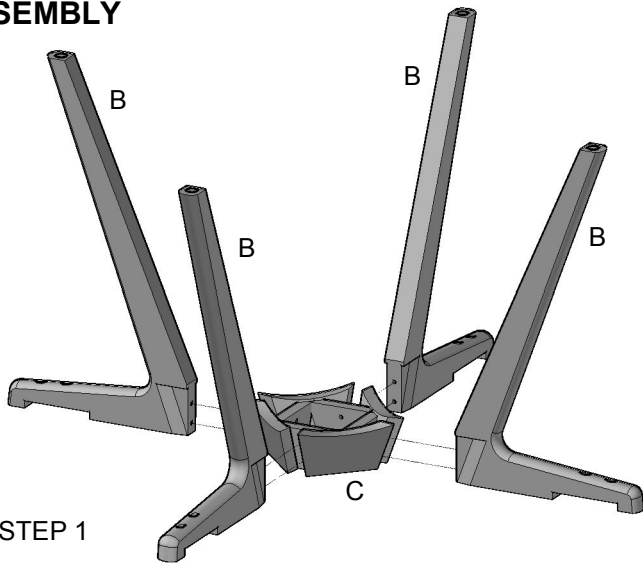


Cleaning & product care

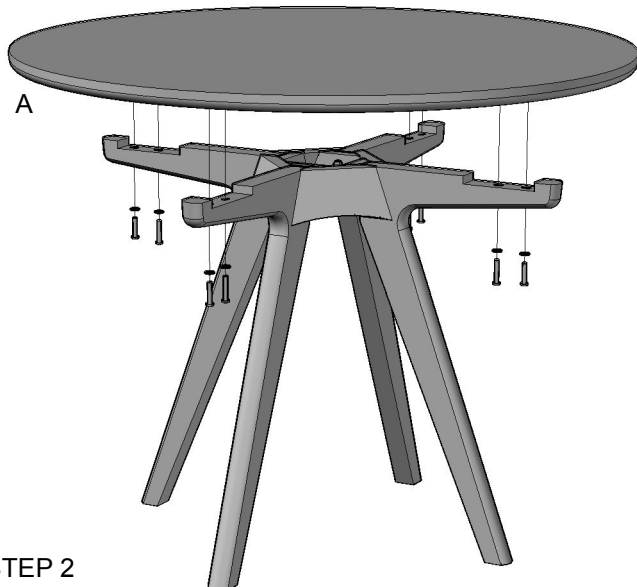
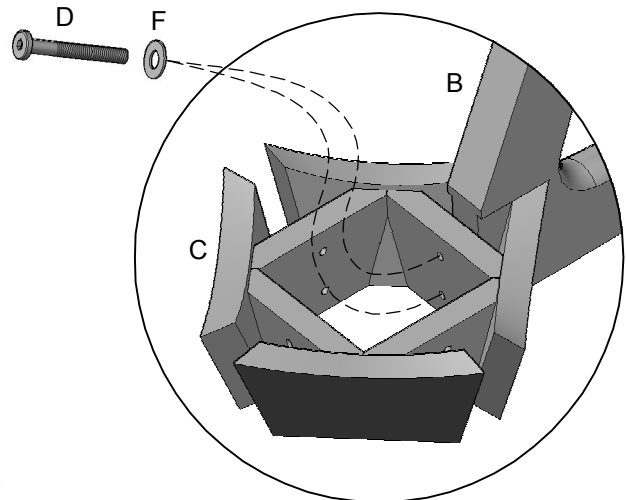
Customer Service 512.554.5738

Latest instructions available at [www.seasonalLiving.com](http://www.seasonalLiving.com)

**ASSEMBLY**



STEP 1



STEP 2

